

Site Master™ MS2085A/MS2089A

Cable & Antenna Analyzer | Spectrum Analyzer

Introduction

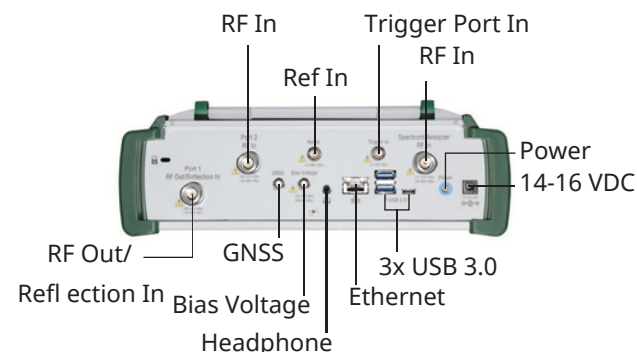
Anritsu is proud to introduce its eighth generation compact handheld cable and antenna analyzer with spectrum analyzer for installation and maintenance of wireless networks. With frequency coverage up to 6 GHz, the new Site Master MS2085A/89A completely redefines the standards for portable handheld analyzers, setting another new industry benchmark for performance and accuracy. They feature the highest performance and the most capabilities ever offered by Anritsu in a compact handheld tester since introducing its first line sweeper in 1995. Key features include both traditional swept and real-time spectrum analysis capabilities, IQ capture and streaming, and built-in PDF report generation. The new MS2085A/89A is the culmination of over 60 years of microwave test and measurement equipment development, using the very latest technologies to deliver accuracy and precision in measurements previously reserved only for benchtop instruments.

Spectrum Analyzer Highlights

- 5GNR FDD/TDD FR1 Analyzer
- LTE Adjacent Channel Power FDD and TDD Analyzer
- Real-Time Spectral Emissions Mask Spectrum Analyzer
- Channel Scanner
- Signal Strength and RSSI
- Spectrogram
- Gated Sweep
- AM/FM Carrier Aggregation Audio Analysis
- Field Strength
- EIRP Coverage Mapping in SPA, Occupied Bandwidth
- Channel Power
- High Accuracy Power Measurements (external sensor sold separately)
- Interference Finder
- Carrier-to-Interference
- WCDMA Analyzer
- Trace Recording/Playback
- IQ Waveform Capture/Streaming

Cable Antenna Analyzer Highlights

- Calibration Type: OSL, InstaCal™ and FlexCal™
- Calibration Methods: OSL
 - OSL + Trans (USB Sensor)
 - OSL + Trans (2-Port)
- iOSL
 - iOSL + Trans (USB Sensor)
 - iOSL + Trans (2-Port)
- Trans (USB Sensor)
- Trans (2-Port)
- Reflection Measurements:
 - Return Loss (RL)
 - Cable Loss
 - VSWR
 - Smith Chart
 - 1-Port Phase
 - TDR (Ohm/Linear)
 - Distance-to-Fault (RL, VSWR)
- Transmission Measurements:
 - Transmission (USB Sensor)
 - Transmission (2-Port)
- Certified Line Sweeping Training
- Anritsu Remote and Report Tools (ARRT)
- Display: Single or Horizontal Split Measurement
- Built-in PDF Report Generator
- Sweep Speed: 350 μs/data point, fast sweep rate, typical
- Battery Life: Up to 9 hours*



Measurements (external sensor sold separately)

Site Master™ MS2085A/MS2089A

Cable & Antenna Analyzer || Spectrum Analyzer

5 kHz to 4 GHz / 6 GHz

9 kHz to 4 GHz / 6 GHz

Key Specifications

Cable & Antenna Analyzer

Frequency	5 kHz up to 6 GHz
Sweep Time	350 μs/data point, RF immunity low*
Corrected Directivity	> 40 dB, typical, InstaCal™ Calibration

Spectrum Analyzer

Frequency	9 kHz up to 6 GHz
Sweep Speed	45 GHz/s (Option 102)
Dynamic Range	>106 dB minimum at 2.4 GHz, 2/3 (TOI-DANL) in 1 Hz RBW
DANL	-167 dBm Typical with Preamp On
Phase Noise	-123 dBc/Hz, 1 GHz, 1 MHz offset, typical

General

Connectivity	Ethernet, Wi-Fi, USB
Display	10.1-inch capacitive touchscreen, 1280 x 800 resolution
Operating Temperature	-10 °C to 55 °C
Battery Life	9 hours operation*
Dimensions	290 mm x 212 mm x 96 mm (11.4 in x 8.3 in x 3.7 in)
Weight	MS2085A-0804, 0806: 3.1 kg (6.83 lb), without Option 21 MS2085A-0804, 0806: 3.8 kg (8.39 lb) with Option 21 MS2089A-0704, 0804, 0706, 0806: 3.8 kg (8.39 lb) with Option 21

MS2085A Instrument Options

Option Number	Description
MS2085A MS2085A	Site Master 4 GHz (requires Option 804) Site Master 6 GHz (requires
MS2085A-0804	Option 806) Cable & Antenna Analyzer, 5 kHz to 4 GHz Cable & Antenna
MS2085A-0806	Analyzer, 5 kHz to 6 GHz Time Domain Reflectometry (TDR)
MS2085A-0003*	Measurement Secure Communications High Accuracy Power Meter
MS2085A-0017	(requires USB sensor, sold separately) 2-port Transmission
MS2085A-0019*	Measurement GNSS Receiver (requires GNSS antenna)
MS2085A-0021	Accredited Calibration to ISO17025 and ANSI/NCSL Z540-1
MS2085A-0031*	(xxxx is the frequency option number)
MS2085A-xxxx-0097	Standard Calibration to ISO17025 and ANSI/NCSL Z540-1
	(xxxx is the frequency option number)
MS2085A-xxxx-0098	Premium Calibration to ISO17025 and ANSI/NCSL Z540-1 plus test data
MS2085A-xxxx-0099	(xxxx is the frequency option number)

MS2089A Instrument Options

Option Number	Description
MS2089A MS2089A	Site Master 4 GHz (requires Option 704 and 804) Site Master 6 GHz (requires
MS2089A-0704	Option 706 and 806) Spectrum Analyzer, 9 kHz to 4 GHz Spectrum Analyzer, 9 kHz
MS2089A-0706	to 6 GHz
MS2089A-0804	Cable & Antenna Analyzer, 5 kHz to 4 GHz
MS2089A-0806	Cable & Antenna Analyzer, 5 kHz to 6 GHz Time Domain Reflectometry (TDR)
MS2089A-0003*	Measurement Secure Communications High Accuracy Power Meter (requires USB
MS2089A-0017	sensor, sold separately) 2-port Transmission Measurement Interference Finder
MS2089A-0019*	(Option 31 and directional antenna recommended) Channel Scanner GNSS
MS2089A-0021*	Receiver (requires GNSS antenna) Gated Sweep 40 MHz Analysis Bandwidth IQ
MS2089A-0024*	Waveform Capture (includes MX280005A IQ Signal Master
MS2089A-0027*	base feature set)
MS2089A-0031*	IQ Waveform Streaming (includes MX280005A IQ Signal Master base feature set
MS2089A-0090*	(requires Option 126)
MS2089A-0102*	Vector Signal Analysis Enabled (requires Option 126)
MS2089A-0102*	Real-Time Spectrum Analysis (RTSA)
MS2089A-0126*	Vision Monitor Enabled
MS2089A-0126*	Vision High-Speed Port Scanner Enabled Coverage Mapping (requires Option 31)
MS2089A-0127*	EMF Measurement AM/FM Modulation Measurements WCDMA FDD
MS2089A-0128*	Measurements LTE FDD/TDD Measurements (requires Option 31) 5G NR Downlink
MS2089A-0199*	Measurements (requires Option 31)
MS2089A-0400*	Accredited Calibration to ISO17025 and ANSI/NCSL Z540-1
MS2089A-0407*	(xxxx is the frequency option number)
MS2089A-0407*	Standard Calibration to ISO17025 and ANSI/NCSL Z540-1
MS2089A-0431*	(xxxx is the frequency option number)
MS2089A-0444*	Premium Calibration to ISO17025 and ANSI/NCSL Z540-1 plus test data
MS2089A-0509*	(xxxx is the frequency option number)
MS2089A-0509*	
MS2089A-0871*	
MS2089A-0883*	
MS2089A-0888*	
MS2089A-xxxx-0097	
MS2089A-xxxx-0098	
MS2089A-xxxx-0099	

* Refer to the Technical Data Sheet for full specifications and information on ordering time limited options.